



AOPACK
Box making machine

Box Making Machine

Single Pass - Short Run - On Demand



Fully Automatic Slotting, Slitting,
Creasing Integrated Machine



Watch Videos

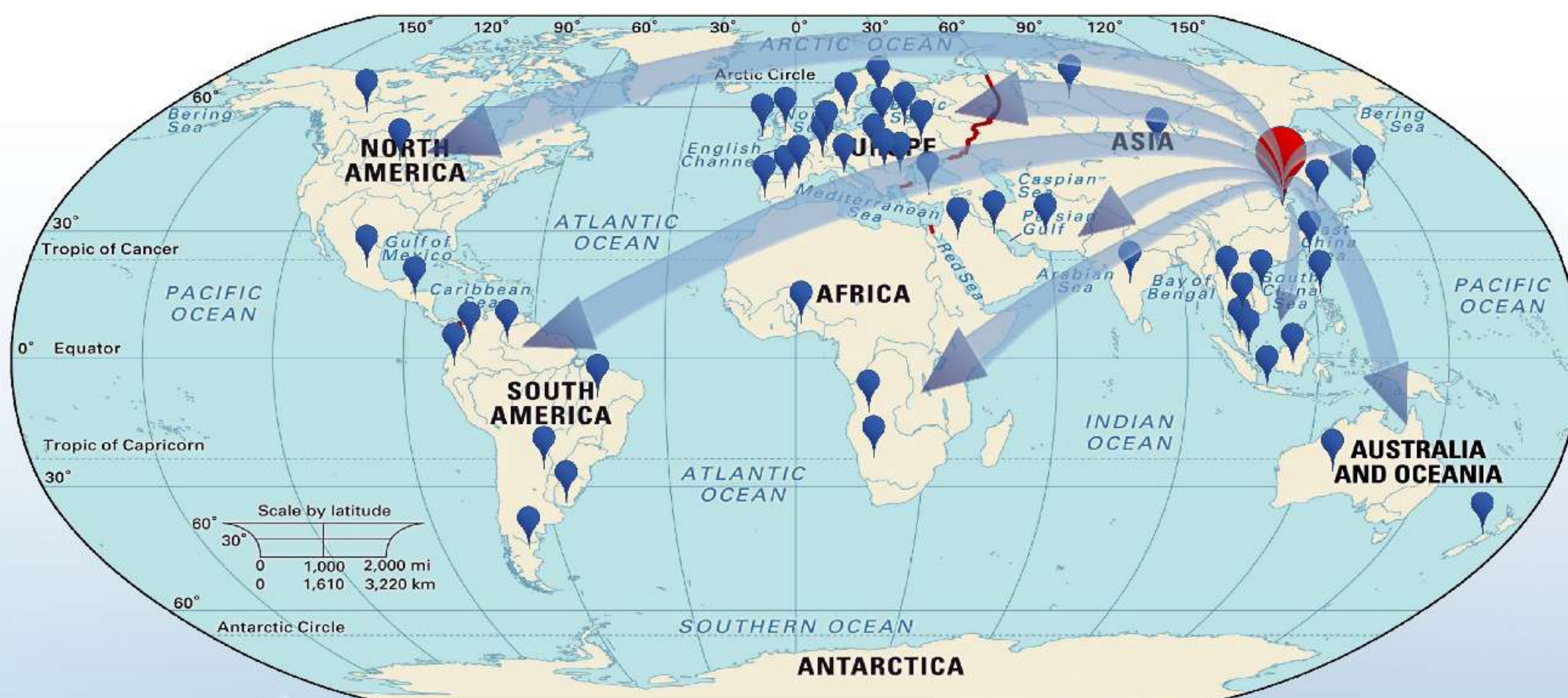
AOPACK LTD.
www.aopackmachine.com

COMPANY PROFILE

Aopack is a professional automatic box making machine manufacturer, specializing in scattered orders, and low to medium volume box production solutions. Since **2014**, we have developed many fully automatic slotting slitting creasing all in one compact box making machines, like BM2506, BM1206, BM2508-SE, BM2508-Plus, BM2508-Pro, BM3000, BM3000-HD, BM3000-Pro, FF2800, BM1800-Mini. In the past **10 years**, we have invested over **4 million dollars** in R&D, Aopack factory covers an area of about **10,000 square** meters and now has an annual output of more than **200 units** of box makers.

Aopack automatic box making machine can process 150+ box styles, Board feeding, slotting, scoring, creasing, slitting, trimming, handle die-cutting, gluing, printing, processed in one go, saving time and effort. Our machine has passed the European CE certification and obtained multiple invention patents and utility model patents. Aopack provides packaging solutions throughout the world. **557+** machines have been installed in **60+** countries around the world, like China, Japan, the UK, America, Germany, Switzerland, Italy, Spain, Russia, Australia, and so on. Both machine performance and service have received tons of excellent reviews from our partners and customers.

· GLOBAL INSTALLATION ·



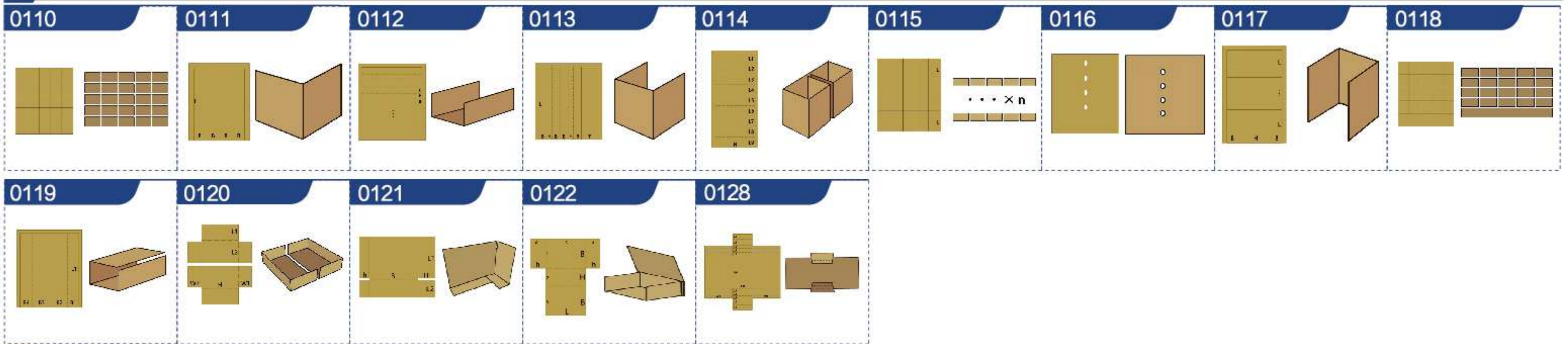
From Qingdao, serving All Over the World.

557+ machines have been installed in **60+** countries around the world.

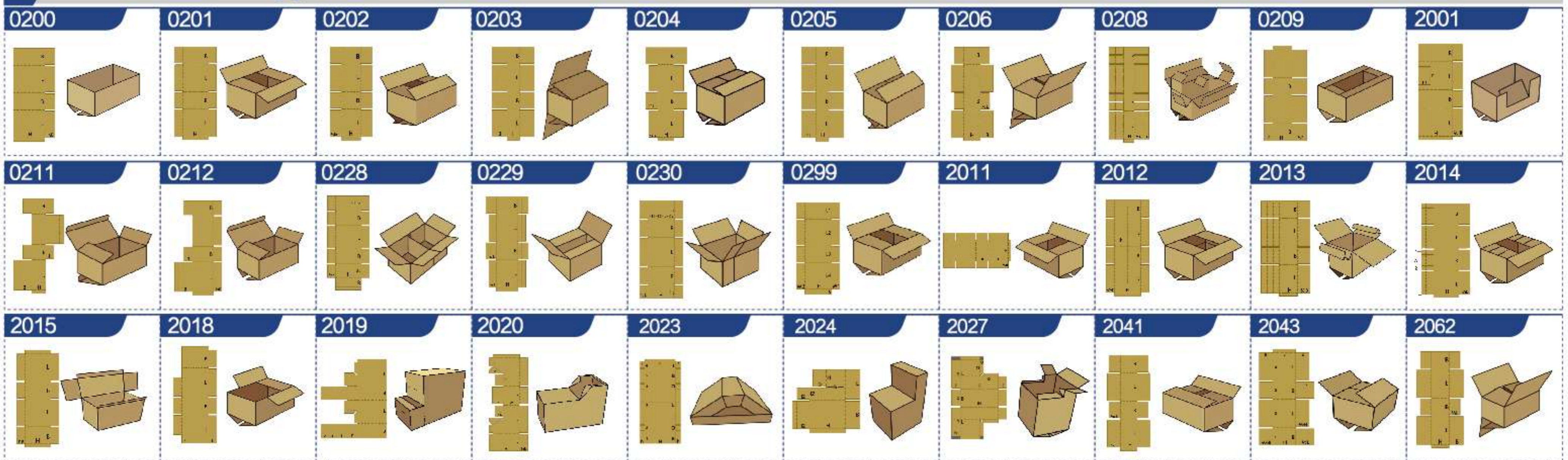


BASIC BOX STYLES

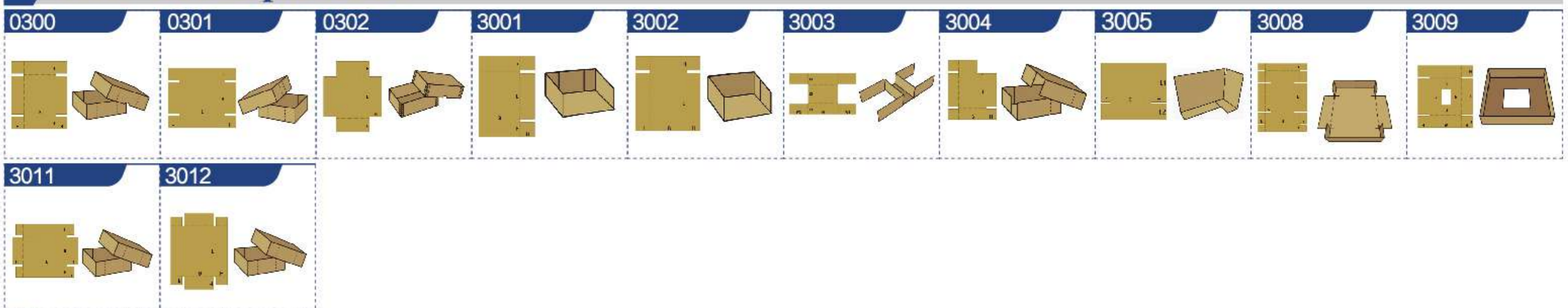
0100 Commercial sheets



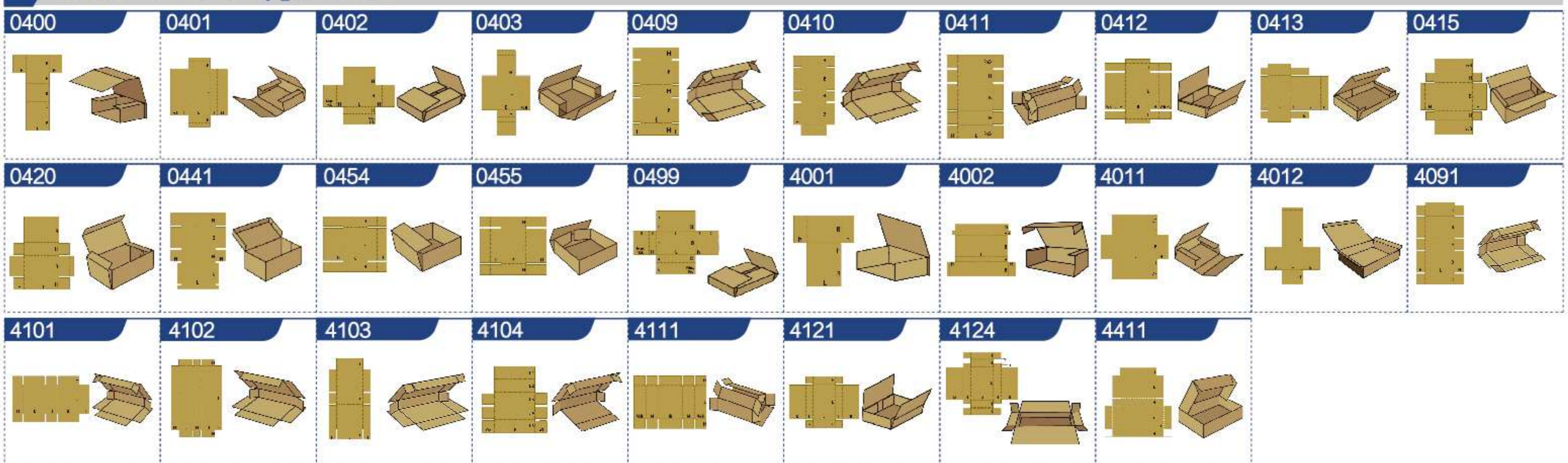
0200 Slotted-type boxes



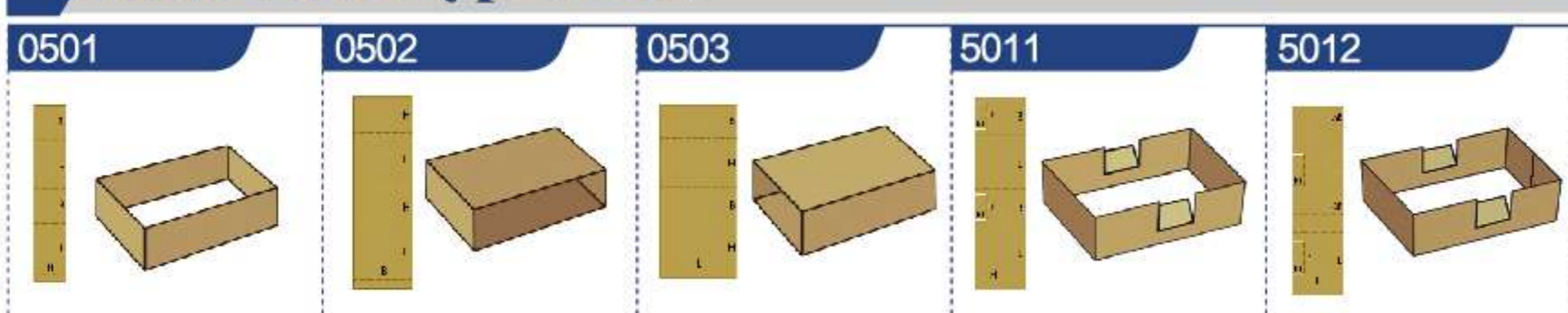
0300 Telescopic boxes



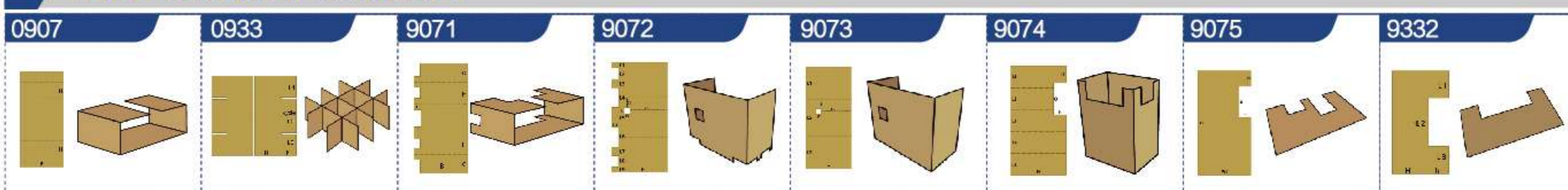
0400 Folder-type boxes



0500 Slide-type boxes



0900 Interior fitments

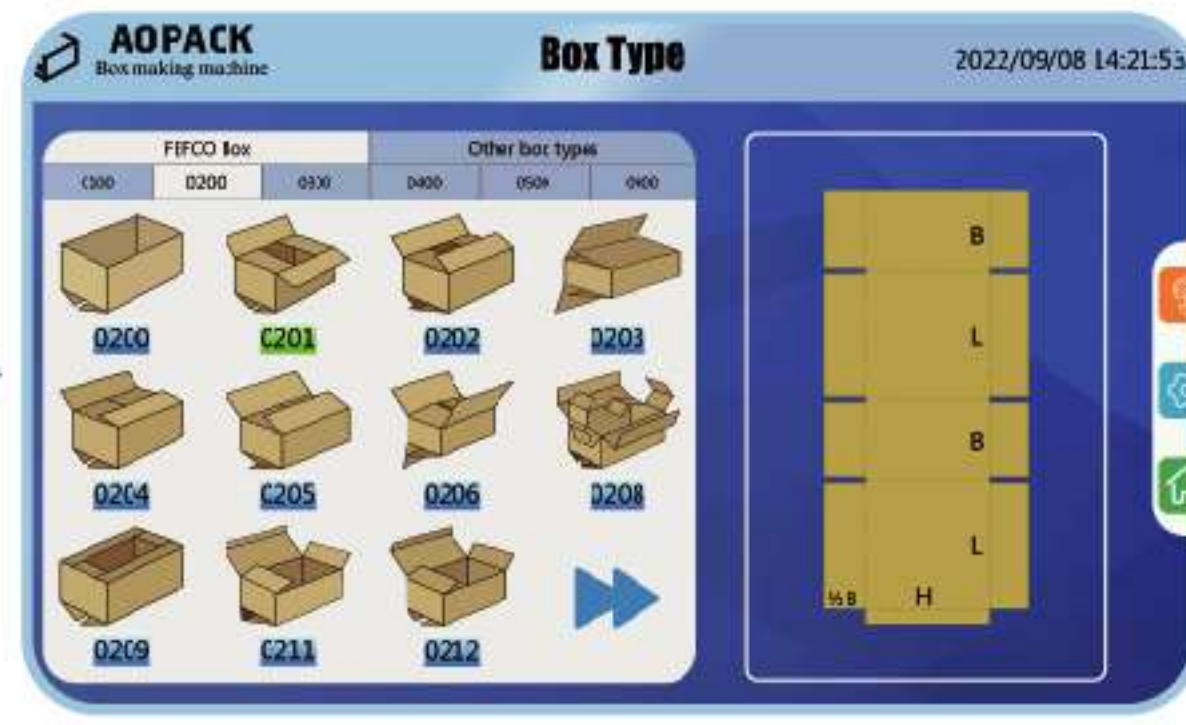


Freestyle system enables free creation with unlimited box styles.

BOX MAKING PROCESS



Get the machine ready and powered on.



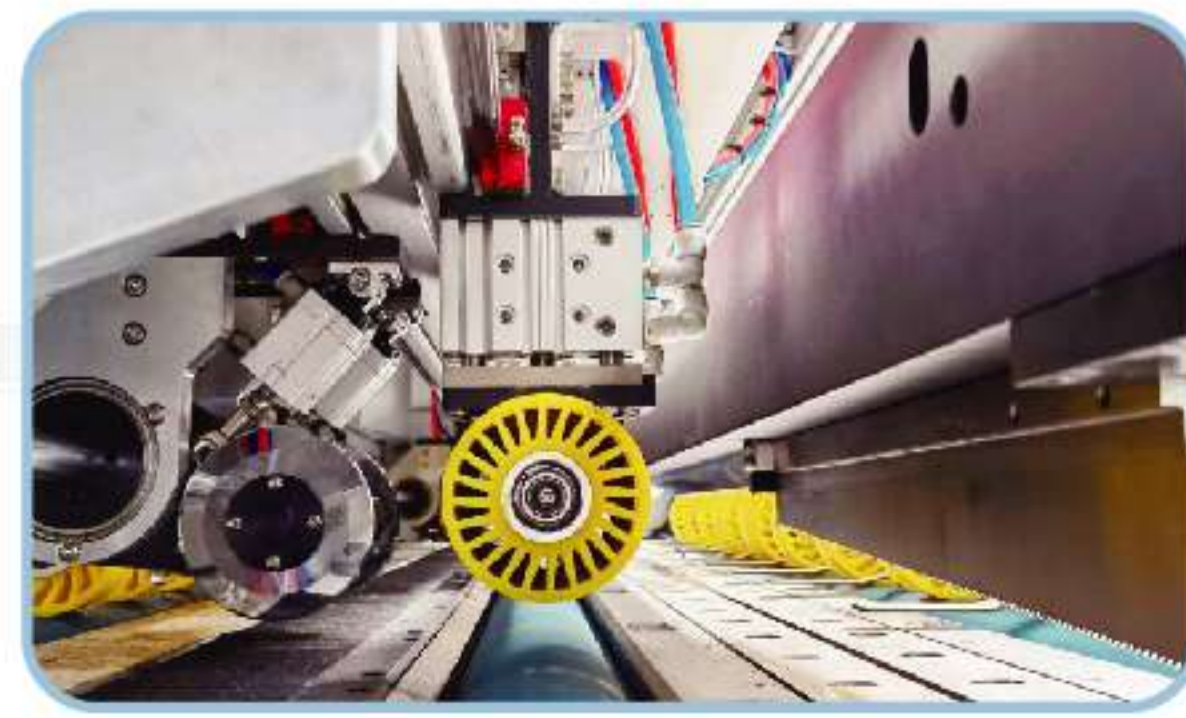
Input production data.



All the units set automatically.



Different boxes.

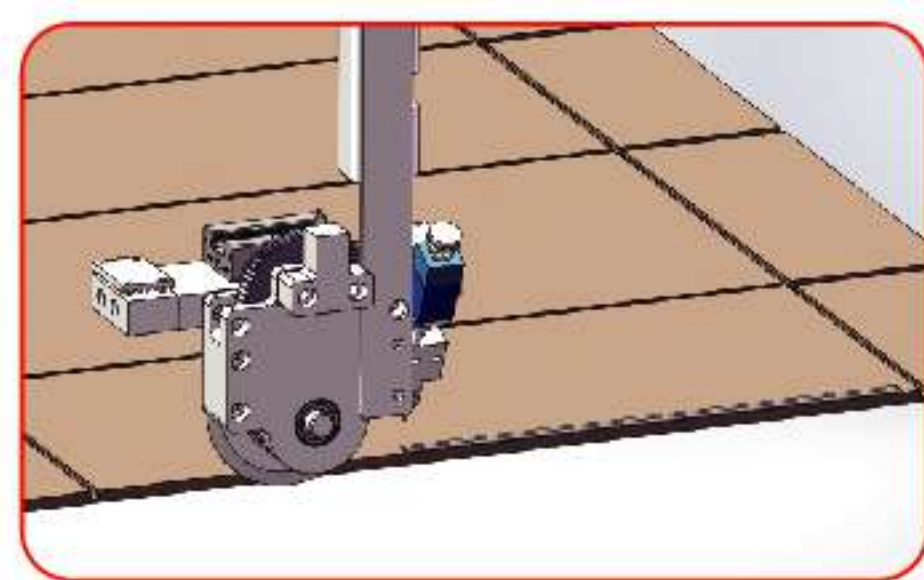


All the processes completed in one machine.

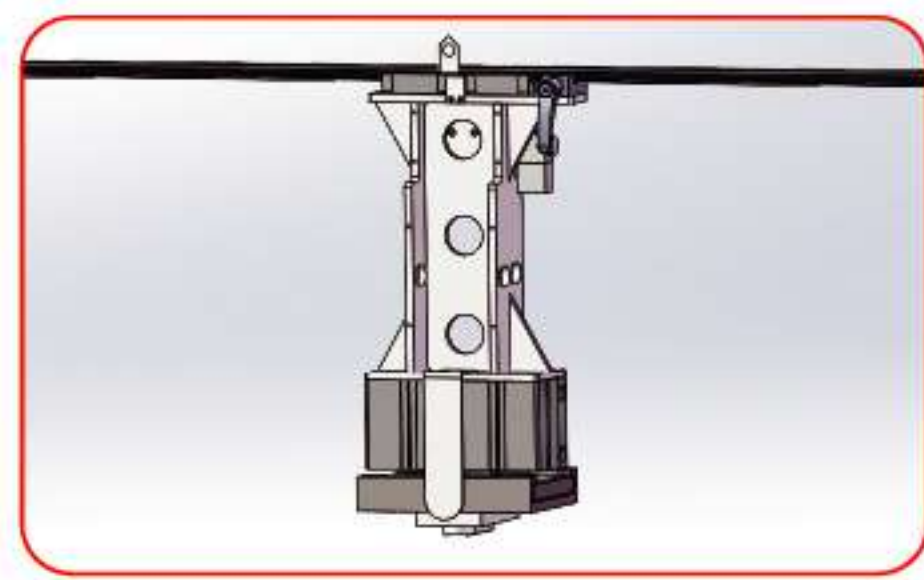


Load cardboard.

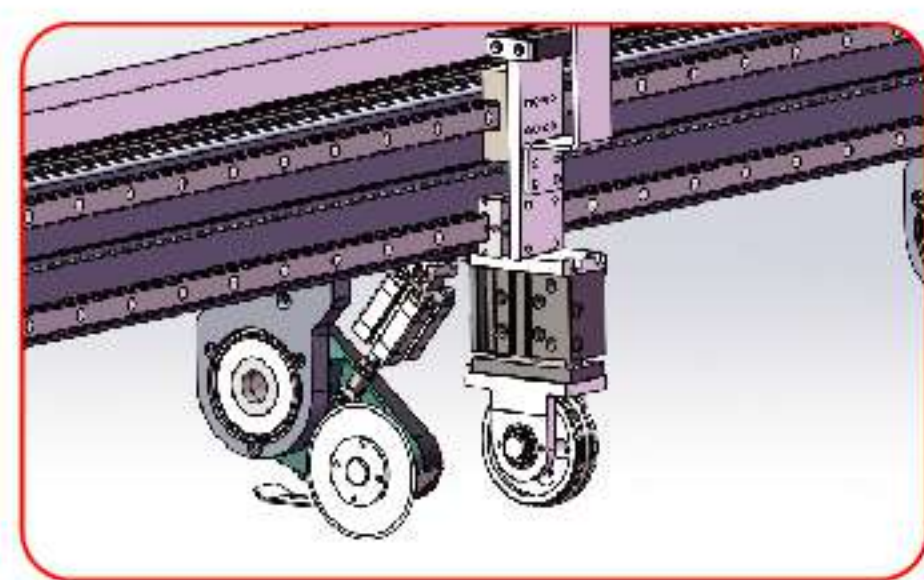
ONE STOP SOLUTION



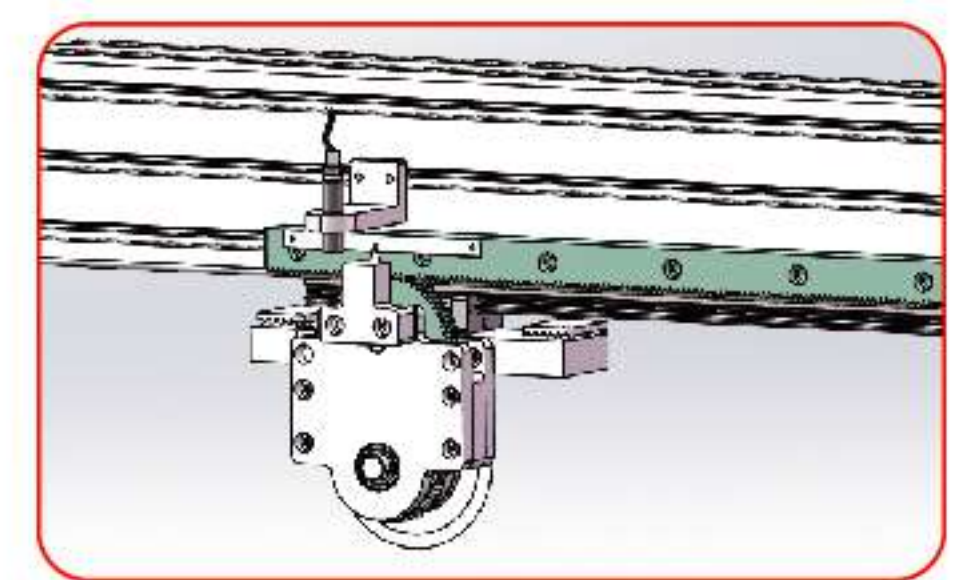
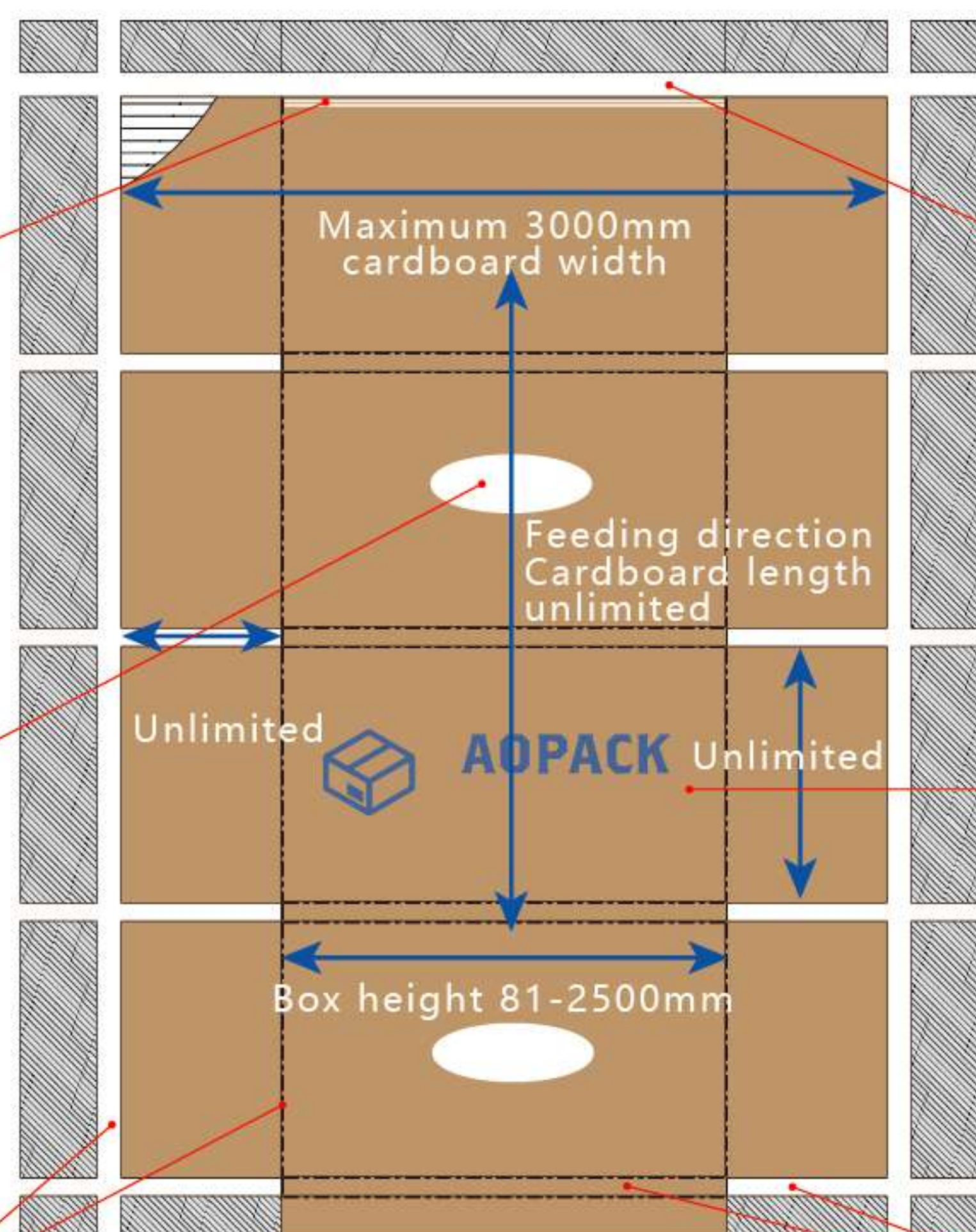
Inline Gluing (Optional)



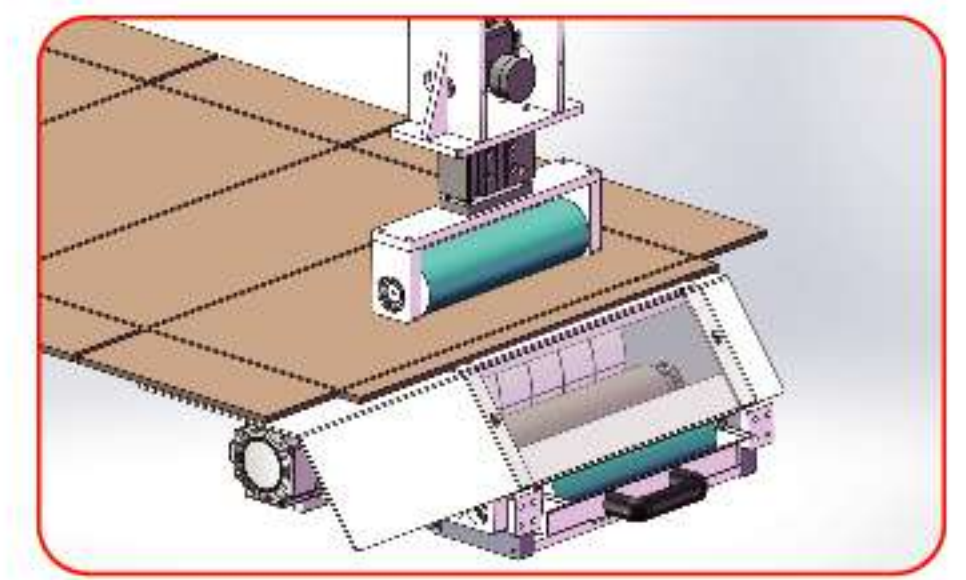
Handle Die-Cutting



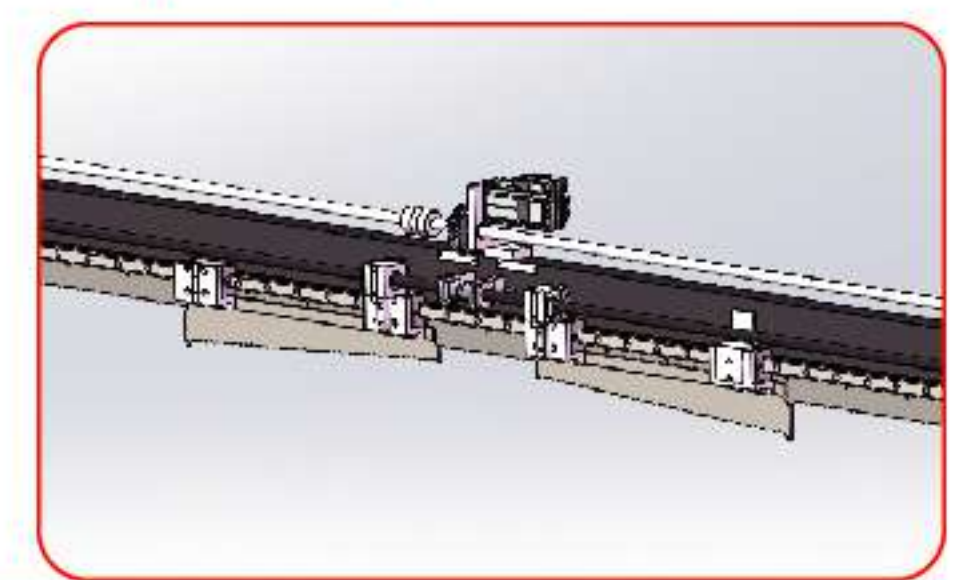
Vertical Slitting And Creasing



Horizontal Trimming



Inline Flexo Printing (Optional)



Horizontal Slotting And Scoring

MAJOR FUNCTIONS

· Cardboard Feeding ·



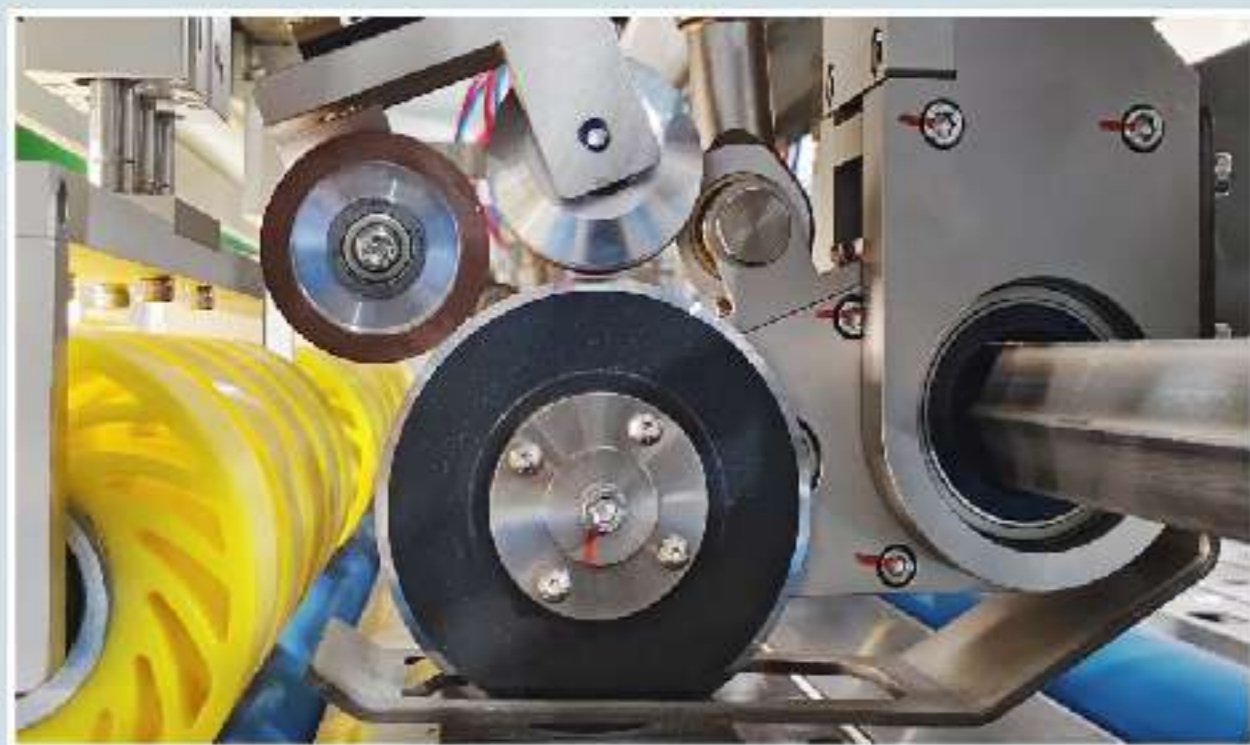
· Horizontal Slotting & Scoring ·



· Vertical Creasing ·



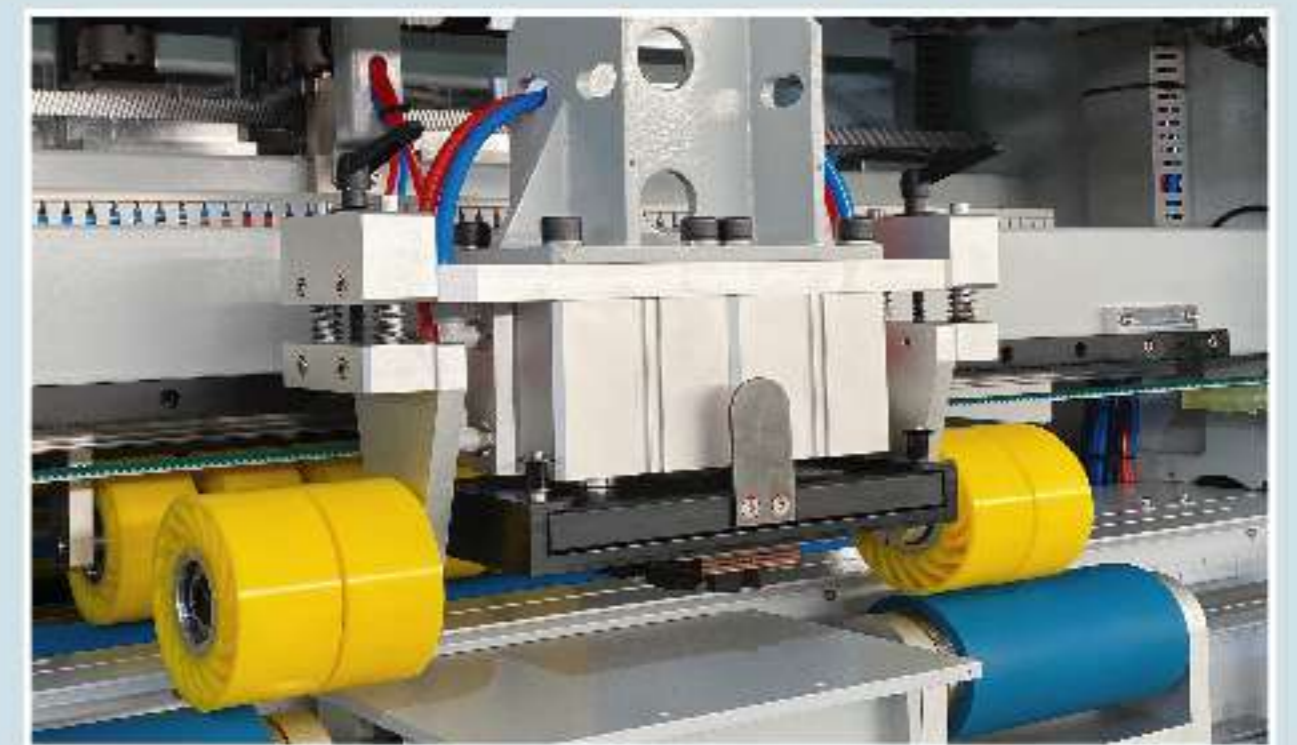
· Vertical Slitting ·



· Horizontal Cutting ·



· Handle Die Cutting System ·



OPTIONAL FUNCTION

Vibrating Knife

- Available to cut round holes, rectangles, slashes, curves, and other Irregular shapes, No mold needed.



Switch Die Cutting

- Switch die cutting heads can be equipped with a variety of die cutting molds. Can customize many different shapes of knife molds.



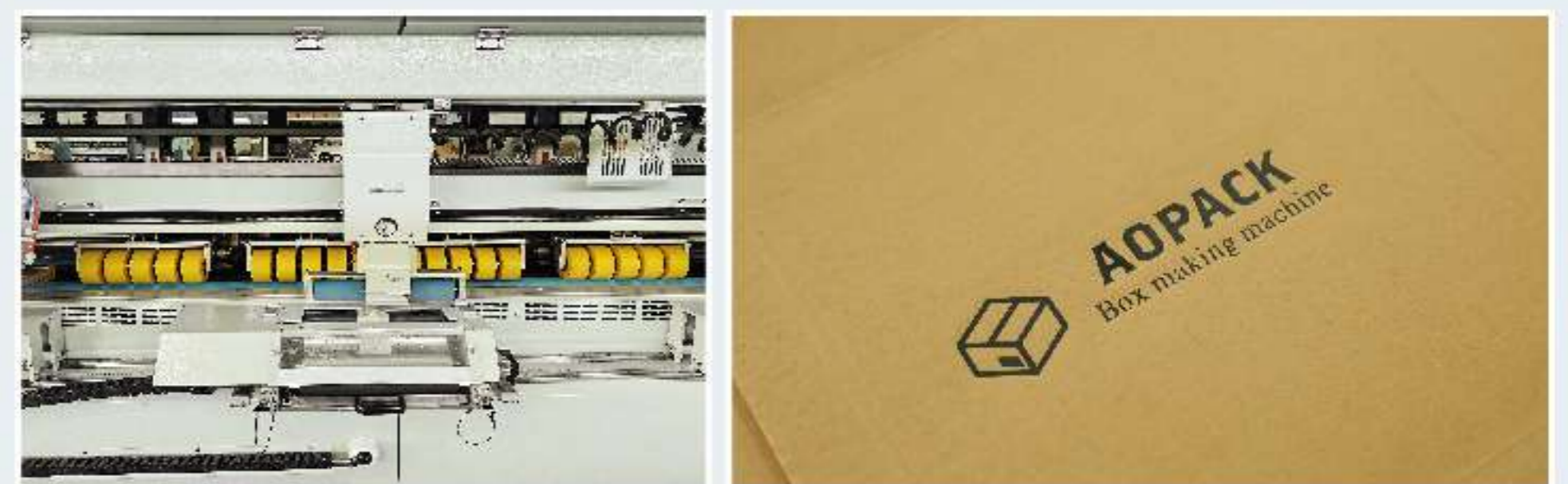
Inline Gluing

- Auto application in precise location, high efficiency and versatility, no need additional gluing machine.



Flexo Printing

- Single color flexo printing, Max. printing area 500*300mm(L*W).



Order Management System

- The fastest changeover time is about 1s, It can be directly interfaced with ERP systems to automate production tasks.

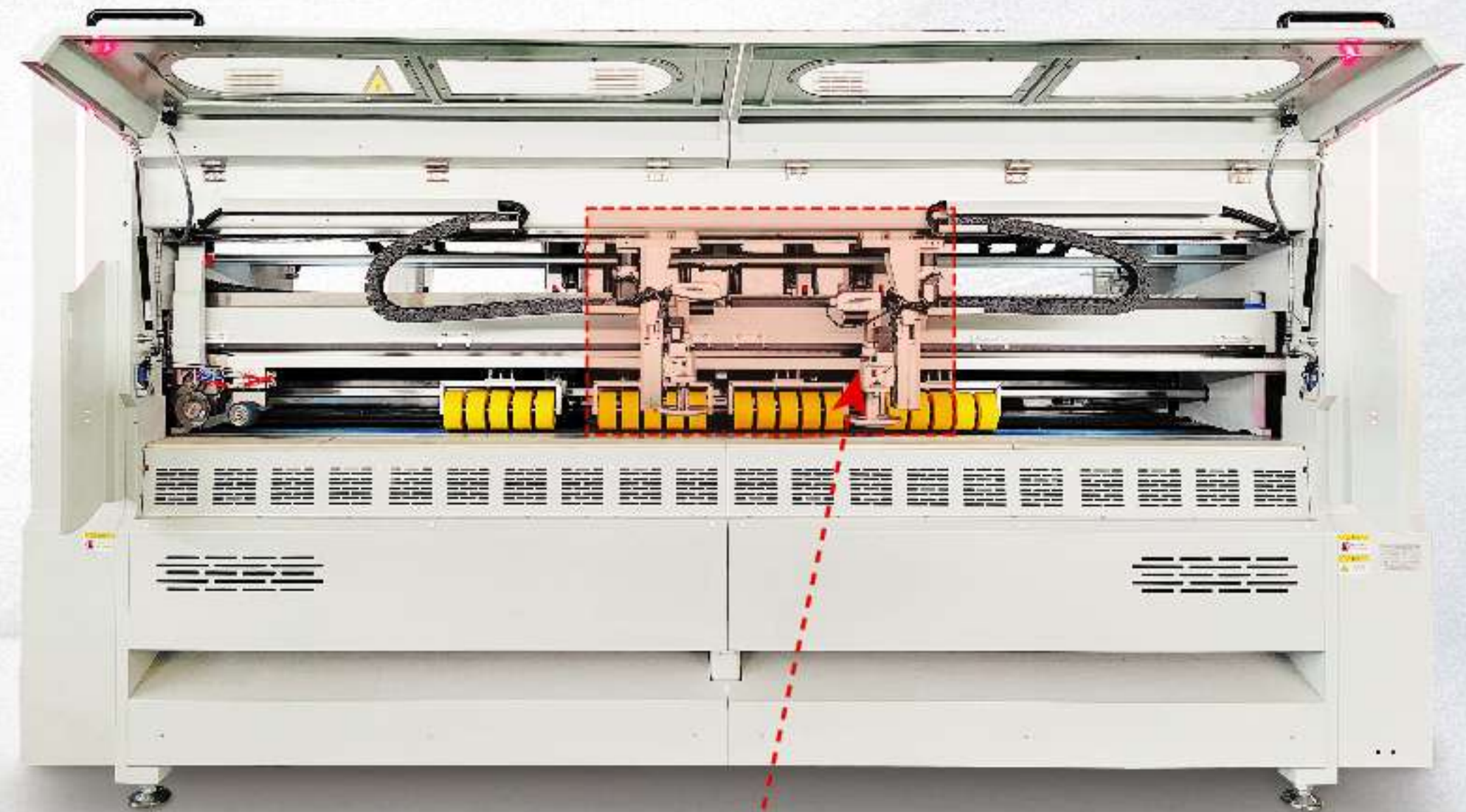


Free Style System

- Free creation available, with unlimited box styles.



Aopack Heavy Duty Box Maker BM3000-HD



Vibrating Knife

FINISHED CARTON DISPLAY



Vibrating Knife Cutting



Slash Die Cutting



TV Box



AAA Cardboard Processing



Inconsistent Creasing



Glue Flap Crushing

MACHINE HIGHLIGHTS

01 Sheets from E flute to AAA flute

02 Sheets thickness from 2mm to 16mm, up to 2400g/sqm

03 Sheets width from 300mm to 3000mm

04 Slotting width from 7mm to 21mm

05 Glue flap crush function

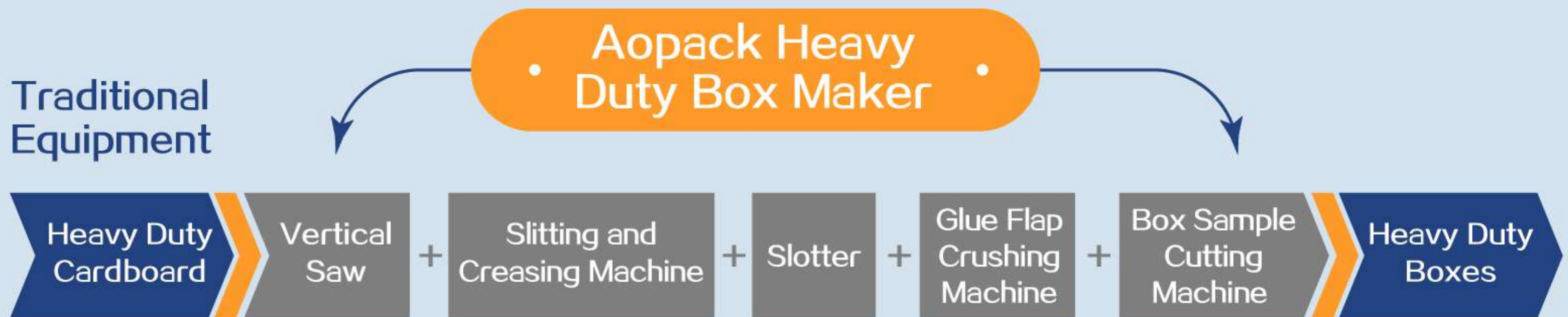
06 Inline auto sharpener

07 Inconsistent creasing available

08 Over 150 box styles pre-programmed

09 Vibrating knife cutting slash, curve

PROCESSING COMPARISON



TECHNICAL SPECIFICATIONS

Cardboard Type	Single/Double/ Triple wall (AAA Heavy Duty Cardboard)	Cross Cutting Knife	1
Cardboard Thickness	2-16mm	Power	380V±10%, Max 10kW 50/60Hz
Cardboard Weight	≤2400g/m ²	Air Pressure	0.6-0.7Mpa
Max. Board Size	3000mm Width * Unlimited Length	Dimension	3820(W)* 2060(L)* 1970(H)mm
Min. Board Size	300mm Width * 660mm Length	Gross Weight	Appr. 4500kg
Production Capacity	Appr. 10-16pcs/minute. Depends on Box Size and Style.	Handle Hole on box sides	150(L)*300(W)mm
Slotting Knife	2pc * 500mm Length	Glue Flap Crush	√
Vertical Creasing Knife	4 (With Knife Sharpening Function)	Air Consumption	90L/min
Scoring/Creasing Wheel	4+4	Box Styles	150+

The above parameters are for reference only. And the final right of interpretation belongs to Aopack Ltd.

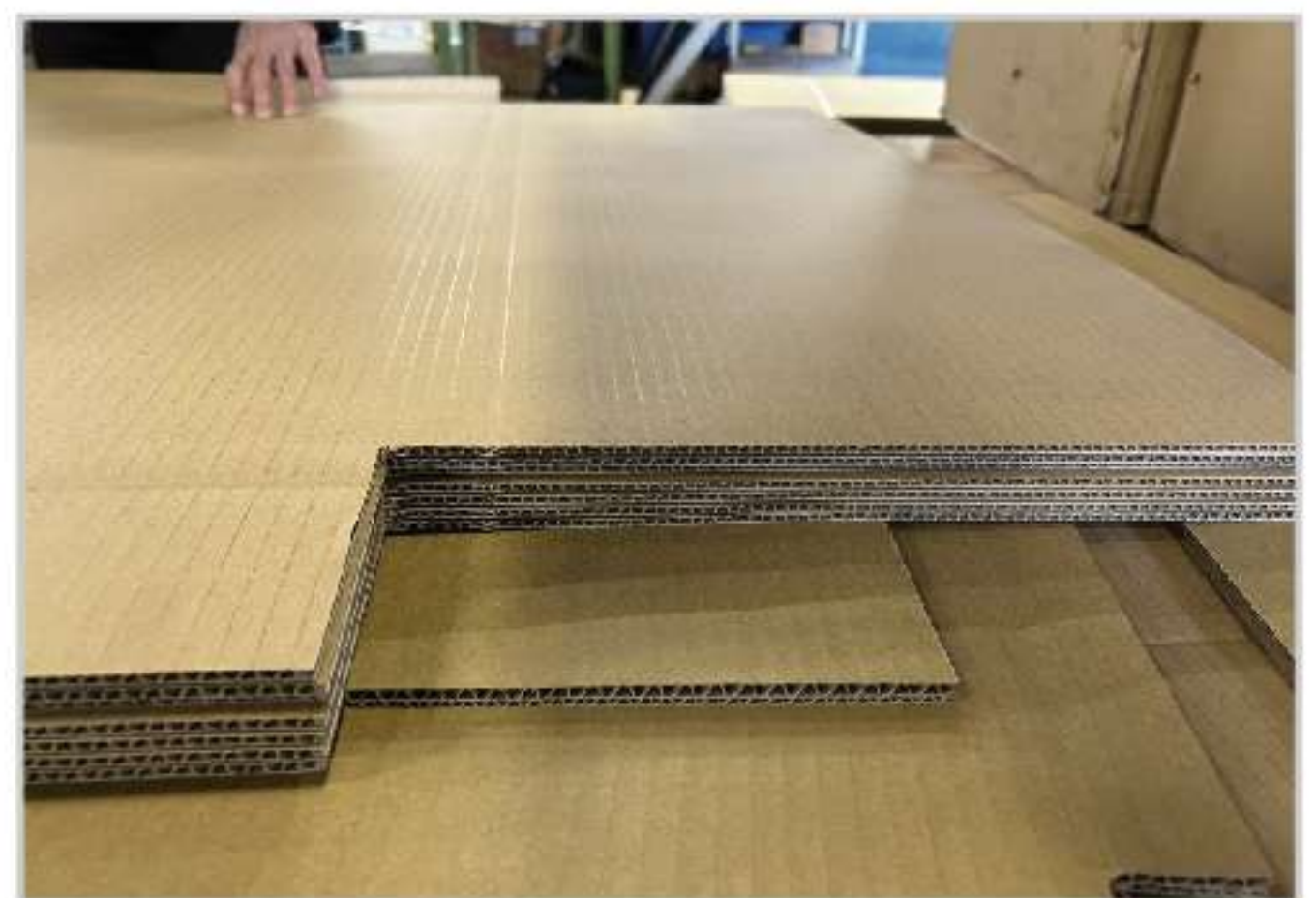
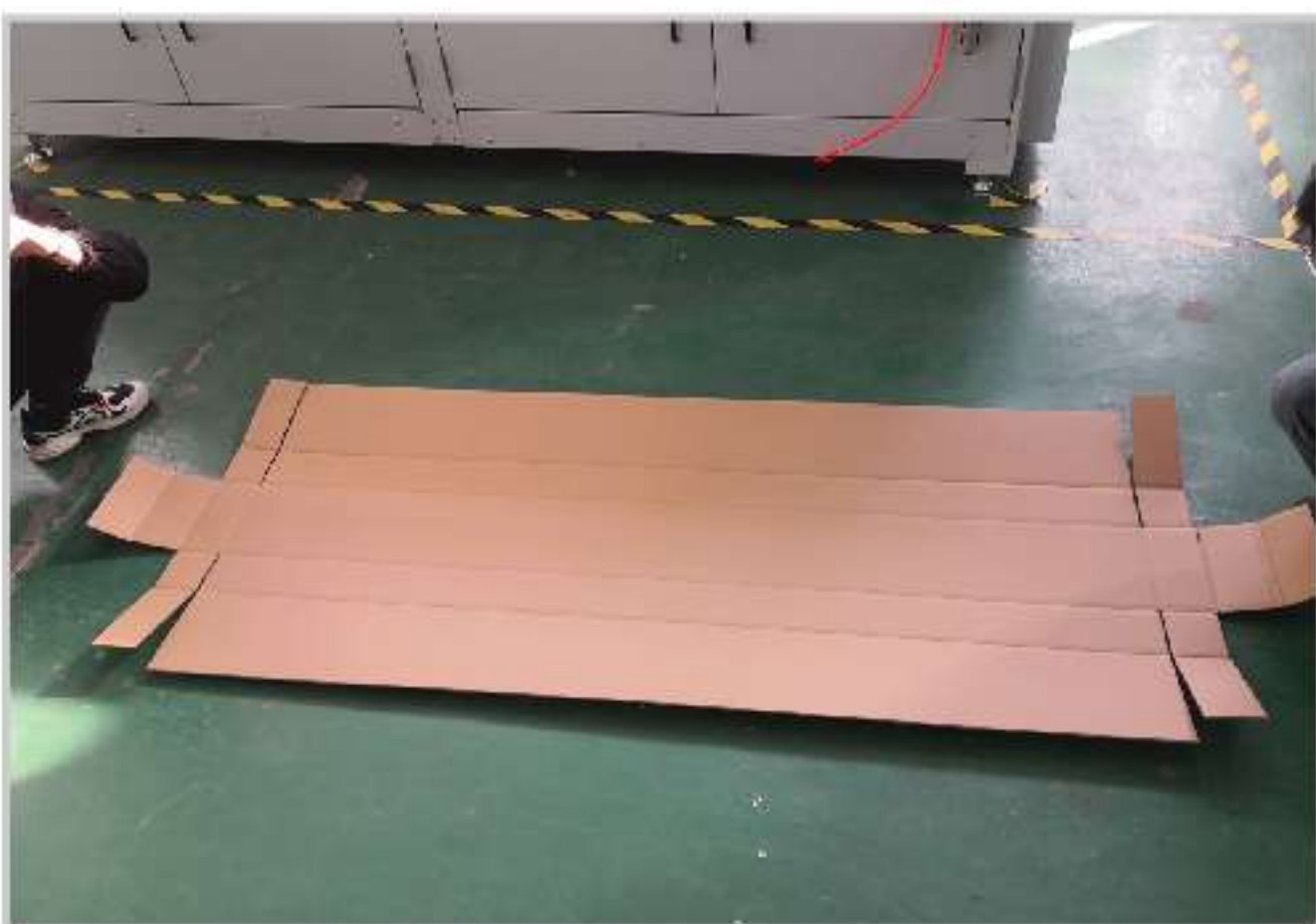
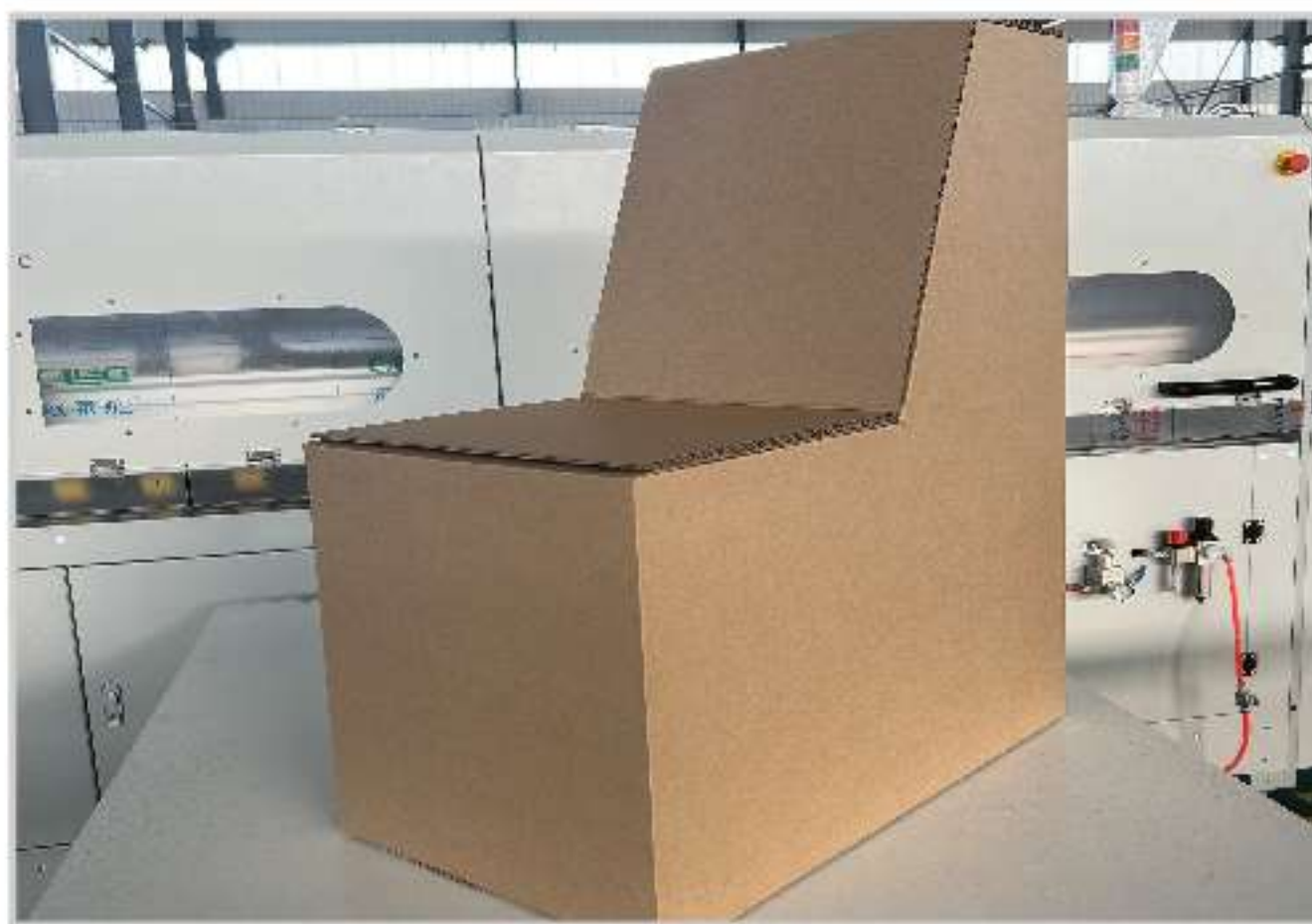
AOPACK BOX MAKING MACHINE BM2508-Pro



1 Aopack Machine = 3 Machines

1 AOPACK MACHINE = 1 SLITTER + 1 SLOTTER + 1 GLUER, ALL IN ONE COMPACT MACHINE

FINISHED CARTON DISPLAY



- **Board Feeding, Slotting, Scoring, Creasing, Slitting, Trimming, Handle Die-Cutting, Gluing, Printing, All In One Compact Machine.**

MACHINE HIGHLIGHTS

01 Easy operation, Saving labor cost

03 Oversized carton processed in one go

05 Low energy consumption

07 Quick installation and commissioning

09 Excellent cutting performance without any burrs

02 Multifunctional machine, Simplify production process

04 Economical&Convenient, No mold needed

06 Customized packaging, reduce waste

08 Cardboard feeding, Size precise and stable

10 Professional service team

TECHNICAL SPECIFICATIONS

Cardboard Type	Single/Double wall	Creasing Wheel	4
Cardboard Thickness	2-12mm	Crossing Cutting Knife	1
Cardboard Weight	≤1200g/m ²	Power	380V±10%, Max 8kW, 50/60Hz
Max. Board Size	2500mm (W) * Unlimit Length	Air Pressure	0.6-0.7Mpa, 75L/min
Min. Board Size	200(W) * 650mm (L)	Machine Size	3610(W) * 2050(L)* 2090*(H)mm
Production Capacity	Appr.500-800pcs/h.Depends on Size and Box Style.	Machine Weight	Appr. 3400kg
Slotting Knife	2pc * 500mm (Length)	Handle Hole on box sides	150mm(L)*200mm(W)
Slitting Knife	4 (with knife sharpening function)	Box Styles	150+

The above parameters are for reference only.And the final right of interpretation belongs to Aopack Ltd.

AOPACK MINI BOX MAKING MACHINE BM1800-Mini



MACHINE HIGHLIGHTS

- 01 Independent motor control, appr. 1-6s quick changeover time.
- 02 Compact design, save more space.
- 03 Max. 1800mm cardboard width with unlimited length.
- 04 Customized box styles, inconsistent creasing, all in one pass.

TECHNICAL SPECIFICATIONS

Cardboard Type	Single/Double wall	Vertical Creasing	Creasing wheel quantity	6
Cardboard Thickness	2-12mm		Minimum Distance	20mm (Or 25mm)
Cardboard Weight	≤1400g/m ²		Inconsistent Creasing	√
Max. Board Size	1800mm(W) * Unlimited Length	Vertical Slitting	Slitting knife Quantity	6
Min. Board Size	140mm(W) * 600mm(L)		Minimum Slitting	20mm (Or 25mm)
Change From Order to Order	Appr. 1-6s	Cross Cutting	Cutting Knife Quantity	1
Power	380V±10%, Max 7kW	Machine Weight	Appr.1848kg	
Dimension	Appr. 2500mm(W)*1500mm (L)*2030mm(H)			

The above parameters are for reference only. And the final right of interpretation belongs to Aopack Ltd.

FANFOLD CARDBOARD BOX MAKING MACHINE

FF2800



On Demand Packaging

On Time Packaging, Size on demand, Quantity on demand

APPLICATION



TECHNICAL SPECIFICATIONS

Cardboard Type	Single wall/Double wall (Only Fanfold)	Cross Cutting Knife	1
Cardboard Thickness	1.5-10mm	Power Supply	380V±10%, Max 5.5kW, 50/60Hz
Cardboard Weight	≤1350g/m ²	Air Pressure	0.6-0.7Mpa, 70L/min
Max. Board Size	2800mm(W) * Unlimited Length	Dimension	3700(W)* 1200(L)* 2030(H)mm
Min. Board Size	500mm(W) * 650mm(L)	Machine Weight	Appr. 4000kg
Vertical Slitting Knife	6	Box Styles	50+
Vertical Creasing Wheel	6	Change From Order to Order	1-6s

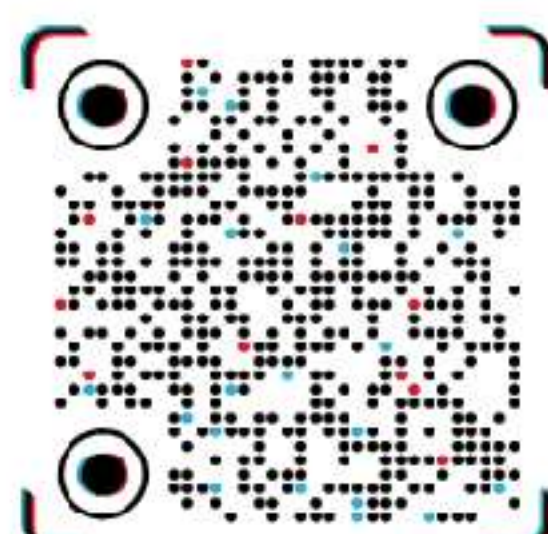
The above parameters are for reference only. And the final right of interpretation belongs to Aopack Ltd.

TECHNICAL SPECIFICATIONS

Model		BM1800-Mini	BM2508-Pro	BM3000-HD
Cardboard Type		Single wall/Double wall	Single wall/Double wall	Single/Double/ Triple wall (AAA Heavy Duty Cardboard)
Cardboard Thickness		2-12mm	2-12mm	2-16mm
Cardboard Weight		1400g/m ²	1200g/m ²	2400g/m ²
Max. Board Size		1800mm(W) * Unlimited Length	2500mm(W) * Unlimited Length	3000mm(W) * Unlimited Length
Min. Board Size		140mm(W) * 600mm(L)	200mm(W) * 650mm(L)	300mm(W) * 660mm(L)
Pre-Creasing Wheel		×	×	4
Vertical Creasing	Quantity	6	4	4
	Min. Distance	20mm (Or 25mm)	30mm	5mm
	Inconsistent Creasing	√	√	√
Vertical Slitting	Quantity	6	4	4
	Min. Distance	20mm (Or 25mm)	36mm	36mm
	Knife Sharpening Function	×	√	√
Cross Cutting	Quantity	1	1	1
	Up and Down	×	×	√
	Glue Flap Crush	×	Optional	√
Independent Motor Control, Quick Changeover Time		√	√	√
Auxiliary Paper Output Roller		×	√	√
Touchscreen		Leadshine	Flexem	Siemens
Power		380V±10%, Max 7kW	380V±10%, Max 8kW	380V±10%, Max 10kW
Machine Size		2500(W) * 1500(L) * 2030 (H)mm	3610(W) * 2050(L) * 2090 (H)mm	3820(W) * 2060(L) * 1970 (H)mm
Machine Weight		Appr. 1848kg	Appr. 3400kg	Appr. 4500kg



YouTube



TikTok



WhatsApp



WeChat



AOPACK
Box making machine

Website: www.aopackmachine.com
WhatsApp & WeChat: +86 150 2002 3038

Email: anna.qin@aopackmachine.com
Address: Qindao City, Shandong Province, China